

# PASSCHIP®

## Automotive

PASSCHIP Automotive is a mobile solution that replaces the need of using a physical car key. The Key is replaced by the smartphone app running on the customer's phone or tablet that communicates with PASSCHIP - installed inside the cabin.

The smartphone app is using SMS (long distance) or Bluetooth (close distance) to communicate with PASSCHIP and to control the central locking system (Lock / Unlock), the Engine power on / power off and Authorize Engine start (Car board computer reads spare key chip hidden inside the dashboard).

PASSCHIP Automotive has 2 inputs and 5 outputs:

- Lock/Unlock central system – 2 digital outputs
- Engine can be started – digital input
- Engine running – digital input
- Start /Stop engine – 2 digital outputs
- Authorize Engine start – 1 digital outputs

The car engine can be stopped (STOP button active) only if the engine is running.

The car engine can be started (START button active) only if the engine is not running and the "Engine can be started" input is active – safety condition.

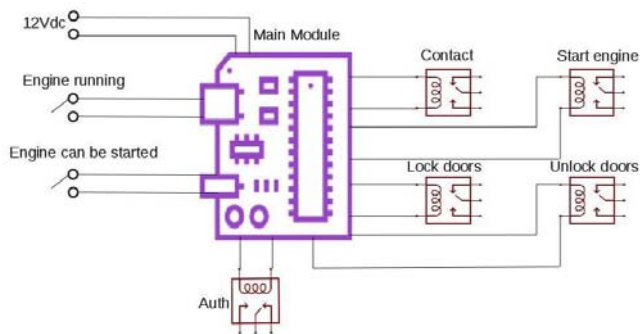
### Functions

Start and Stop of engine – Main Module  
Doors Lock and Unlock – Main Module  
Authorize Engine start – Main Module  
WiFi AP – Optional Module  
Event Log – Optional Module  
Key management is performed via Bluetooth and SMS – Main Module (no central server required)

### Benefits

Eliminates the need for multiple physical keys  
Increase number of virtual keys  
Increase the number of possible users  
Mobile App  
The keys are sent / received by Phone, SMS, WhatsApp, Facebook, etc. to users  
Full management of users and cars  
Excellent schedule matrix

## Installation



## Use cases

Personal and family usage  
 Car Leasing  
 Car Sharing  
 Car Renting

## Ordering Information

- MAPA 100/1: App for new cars - factory installing
- MAPA 100/2: App for existing cars - authorized service installing

## Technical Specifications

<b>Main Module</b>	<b>ALWAYS ON</b>
Communication	Bluetooth, SMS
Memory	768 Bytes
Processor	8Bit microcontroller
Software Upgrade	OFF line
Lifecycle	Unlimited
Max Keys stored	64(4 Admin, 60 Users)
Power Supply	12Vcc / max 20mA
Power Consumption	Max. 0.24 W
<b>Optional Module</b>	<b>ON only when Engine Running</b>
Communication	Wireless
Memory	Internal DRAM 1 GB SD slot available 1xMMC Real time clock with back-up Li-Ion maintenance free battery
Processor	ARM 64-bit, 1.2 GHz, Quad
Operating System	Linux OS
Software Upgrade	ON line / OFF line
Power Supply	12Vcc/ max 1A
Power Consumption	Max. 12 W
History Log capacity	1.000.000 records
Lifecycle	Unlimited
Construction	Applied mount in PVC case
Optional in car Display	LCD: 4,3" 480x272 pixels Contrast ratio 300:1, Brightness min 300cd/sqm Color min QVGA 65 000 colors
<b>Agency Approvals and Standards</b>	
Ambient conditions	Operating Temp: -40 C +85C Storage Temp: -50 C +85 C Humidity: 10-95%
Sound and interface	Mobile App
Size of controller (W x H x D)	120 x 90 x 90 mm -Applied model
Weight	0.4 Kg
Protection Class	IP65 for Applied model
Interaction with the user	Mobile App in English