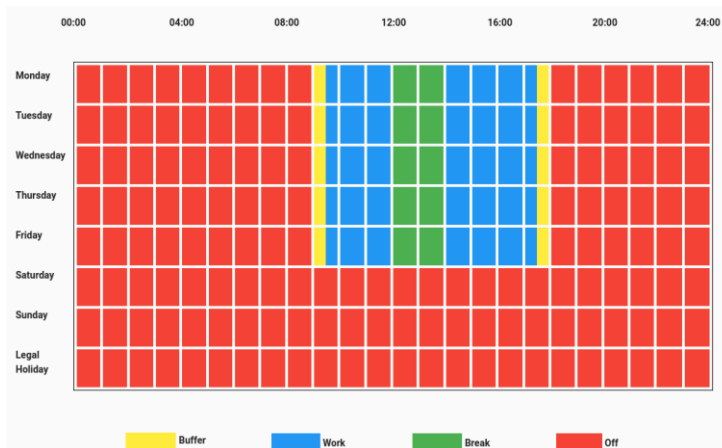


PASSCHIP® Time & Attendance



Release Date: 2022-02-16

Version: 1.0.2

PASSCHIP Time & Attendance solution provides a powerful, modern and flexible workforce management solution that connects to any type of access control system. Ideal for businesses of all sizes, PASSCHIP Time & Attendance ensures accurate timekeeping while seamlessly integrating with existing access control infrastructure.

Functions

Biometric and Card-based Attendance Recording:

Supports a variety of attendance recording methods, including biometric scans and card-based entry, offering flexibility to organizations with diverse workforce needs.

Multiple locations management:

Enables seamless real-time synchronization of attendance data from multiple locations with potentially different Access Control Systems, providing up-to-the-minute accuracy in workforce management.

Customizable Attendance Policies and Shift Management:

Administrators can define and customize attendance policies and manage shifts, ensuring that the solution adapts to the unique requirements of different departments and roles within the organization.

Detailed Reporting and Analytics:

Provides robust reporting and analytics tools, offering administrators a detailed overview of attendance patterns, late arrivals, and other key metrics for informed decision-making.

Scalable Architecture:

Built on a scalable architecture, PASSCHIP Time & Attendance accommodates the varying needs of organizations, from small businesses to large enterprises, integrating seamlessly with diverse Access Control Systems.

Benefits

Streamlined Workforce Management:

PASSCHIP Time & Attendance streamlines workforce management by integrating time and attendance tracking with access control, reducing administrative burden and enhancing accuracy.

Unified attendance tracking:

The integration of attendance events from multiple locations ensures that employee's attendance data is complete and fully accounted.

Customization for Organizational Needs:

Customizable attendance policies and shift management allow organizations to tailor the solution to their specific requirements, adapting to diverse workforce structures and policies.

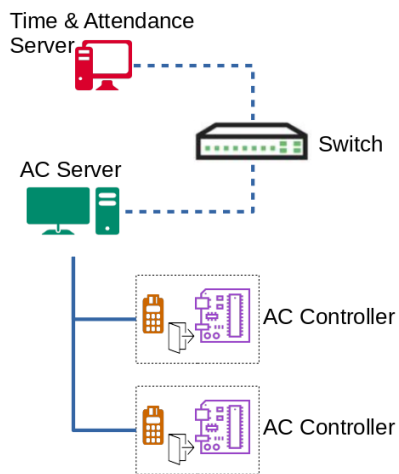
Informed Decision-making:

Detailed reporting and analytics empower administrators with valuable insights, supporting data-driven decision-making for optimizing workforce efficiency and addressing attendance-related challenges.

Scalability and Future-Proofing:

With a scalable architecture, PASSCHIP Time & Attendance is suitable for businesses of all sizes, providing a future-proof solution that can grow alongside the evolving needs of the organization.

Installation



Technical Specifications

Time & Attendance Server	
Configured Cards	Max. 100 000
Configured Areas	Max. 10 000
Configured Employees	Max. 100 000, depending on license
Configured Schedules	Max. 10 000
Transfer of parameterization	On line, during system functioning
Server	Minimum requirements
Communication	Ethernet 100 Base-TX
Memory	8 GB DRAM
CPU	Intel i5
Operating System	Windows 10, Debian 10
Supported Browsers:	
	Google Chrome 88+
	Mozilla Firefox 78+

Ordering

- PCTASW: Time & Attendance Software license – hardware key; includes 100 employees
- PCTA100E: Time & Attendance additional employees license for 100 employees
- PCTA1000E: Time & Attendance additional employees license for 1000 employees
- PCTA Server: Linux Server

Warranty

- 2 years from delivery for software:
 - Bugfixes
 - Updates
- 2 years from delivery for hardware