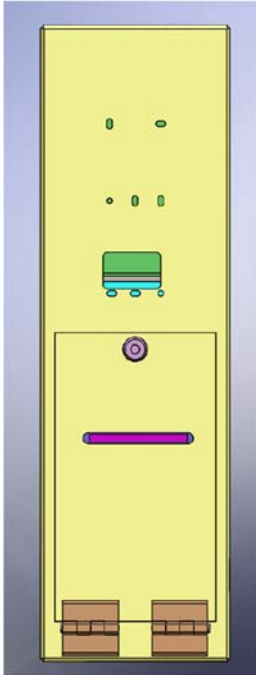


PASSCHIP® Ticket Printer



Release Date: 2024-04-16

Version: 1.0

PASSCHIP Ticket Printer, meticulously designed to seamlessly integrate with your access control systems. Compatible with any type of access control reader, PASSCHIP Ticket Printer swiftly issues tickets upon verification, ensuring secure and efficient access management. Perfect for office buildings, events, and cafeterias, PASSCHIP Ticket Printer combines cutting-edge technology with a user-friendly interface to deliver exceptional performance and reliability.

Functions

Seamless Integration:

Designed to effortlessly integrate with a variety of access control systems, including face recognition readers, card scanners etc. This ensures compatibility and ease of installation, making it a versatile addition to any security setup.

Instant Ticket Issuance:

Swiftly prints tickets upon successful verification, reducing wait times, ensuring a smooth and efficient access experience for users.

Access Management:

Provides real-time tracking and management of entries and exits, enhancing security and operational efficiency.

Customizable Ticket Design:

Allows customization of ticket layouts, including branding, event details, and security features.

User-Friendly Interface:

Equipped with an intuitive interface that simplifies setup and operation, making it easy to use for both administrators and end-users.

Benefits

Enhanced Security:

Ensures secure access management by integrating with advanced verification systems, reducing the risk of unauthorized entry.

Increased Efficiency:

Speeds up the access process with rapid ticket issuance, minimizing queues and improving traffic flow in busy environments.

Versatile Application:

Ideal for diverse settings such as office buildings, events, and cafeterias, making it a versatile solution for various access control needs.

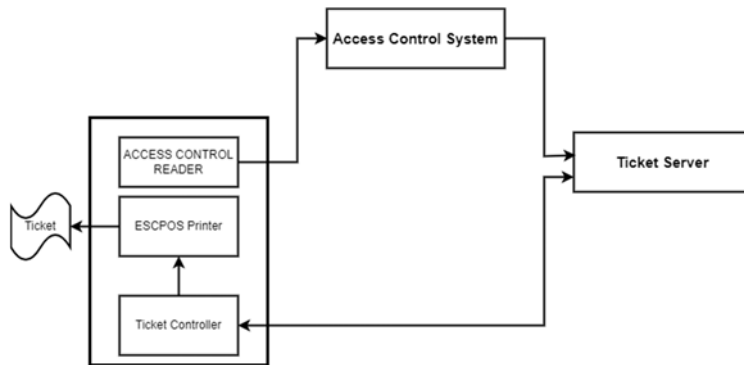
Improved User Experience:

Offers a smooth and hassle-free access experience for users, enhancing overall satisfaction and convenience.

Brand Consistency:

Supports customized ticket designs, allowing organizations to maintain brand consistency and provide detailed event or access information.

Installation



Ordering

- PCTPHW: PASSCHIP Ticket Printer Hardware
- PCTPSW: PASSCHIP Ticket Printer Software license
- PCTSSW: PASSCHIP Ticket Server Software license – hardware key

Warranty

- 2 years from delivery for software:
 - Bugfixes
 - Updates
- 2 years from delivery for hardware

Technical Specifications

PASSCHIP Ticket Printer Controller	
Communication	Ethernet 100 Base-TX Wiegand up to 64 bit
Memory	Internal DRAM 1 GB SD slot available Real time clock with back-up Li-Ion maintenance free battery
Scanner	RS232 interface, QR code scanner, ambient light 0 - 100,000 lux
Processor	ARM 64-bit, 1.2 GHz, Quad
Operating System	Linux OS
Software Upgrade	On line, during functioning
Power Supply	220 V
Power Consumption	Max. 15 W
Response time	Max 1 sec
Construction	Stainless Steel Case
Size of Ticket Printer (W x H x D)	170 x 570 x 200 mm
Weight	10 kg
Reading distance	3.5 cm – 16 cm
Supported Access Control Systems	
	Bosch BIS, AMS
	Siemens SiPass
	Impro Access Portal