

PASSCHIP® QR



Release Date: 2020-03-14

Version: 1.0.5

PASSCHIP QR represents a cutting-edge solution that seamlessly integrates QR code technology with multiple Access Control Systems. This enhances access management processes, providing a versatile and efficient solution for a wide range of environments, including offices, educational institutions, and public venues. It ensures secure, contactless access while offering compatibility with various Access Control Systems.

Functions

Rapid QR Code Scanning:

The solution facilitates swift QR code scanning, ensuring a quick and contactless access experience for users at entry points.

Integration with Multiple Access Control Systems:

Seamlessly integrates with Access Control Systems, providing a unified access control mechanism based on QR code data.

Customizable Access Policies:

Administrators manage access rules directly from the access control system by assigning or revoking access rights to cardholders for areas including the QR code Readers.

Real-time Monitoring and Reporting:

Enables real-time monitoring of access activities through QR code scans, providing administrators with immediate insights and generating detailed reports for comprehensive oversight.

Scalable Architecture:

Designed with scalability in mind, the solution adapts to various infrastructures, making it suitable for both small-scale installations and large, complex environments with diverse Access Control Systems.

Benefits

Contactless and Efficient Access:

PASSCHIP QR offers a contactless and efficient access solution, ensuring a seamless and rapid entry experience for users.

Unified Access Control:

Seamless integration with Access Control Systems provides a unified access control mechanism, enhancing overall security management.

Customized Security Protocols:

Administrators have the flexibility to customize access policies based on associated cards, allowing for tailored security protocols that align with specific organizational requirements.

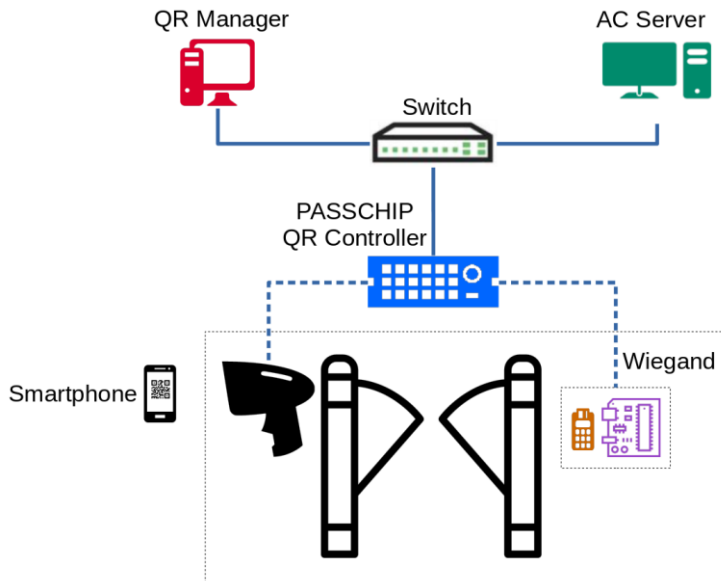
Real-time Oversight and Reporting:

Real-time monitoring of access activities and detailed reporting empower administrators with the tools needed for effective oversight, security assessments, and compliance monitoring.

Scalability and Adaptability:

The scalable architecture of the application makes it adaptable to various infrastructures, ensuring that it can meet the access management needs of even the most complex environments.

Installation



Ordering

- PCQRCHW: QR Hardware controller
- PCQRCSW: QR Reader Software license
- PCQRMAN: QR Manager Software license – hardware key
- PCQR Server: Linux Server

Warranty

- 2 years from delivery for software:
 - Bugfixes
 - Updates
- 2 years from delivery for hardware

Technical Specifications

QR Controller	
Communication	Ethernet 100 Base-TX Wiegand up to 64 bit
Memory	Internal DRAM 1 GB SD slot available Real time clock with back-up Li-Ion maintenance free battery
Scanner	RS232 interface, QR code scanner, ambient light 0 - 100,000 lux
Processor	ARM 64-bit, 1.2 GHz, Quad
Operating System	Linux OS
Software Upgrade	On line, during functioning
Power Supply	85-264 VAC, 45-65 Hz 12 VDC
Power Consumption	Max. 10 W
Response time	Max 1 sec
Construction	Aluminum vandal resistant painted case
Agency Approvals and Standards	CE Conformity
Ambient conditions	Operating Temp:-30C +50 C Storage Temp:-35 C +60 C Humidity: 10-95%
Size of LPR Reader (W x H x D)	170 x 195 x 80 mm
Weight	4 kg
Protection Class	IP67
Reading distance	3.5 cm – 16 cm
QR Manager	
Max Cards	100.000
Supported Access Control Systems	
	Bosch BIS, AMS
	Siemens SiPass
	Impro Access Portal