

PASSCHIP® LPR



Release Date: 2023-09-27

Version: 2.0.4

PASSCHIP LPR solution enhances security protocols by enabling efficient and automated identification of vehicles, streamlining access management processes for diverse environments such as parking facilities, gated communities, and commercial premises and more.

Functions

Real-time License Plate Capture and Recognition:

The application captures and recognizes license plates in real-time, ensuring swift and accurate identification of vehicles approaching access points.

Customizable Access Rules:

Administrators manage access rules directly from the access control system by assigning or revoking access rights to cardholder for areas including the auto barriers.

Centralized Monitoring and Reporting:

Facilitates centralized monitoring of vehicle access activities and generates detailed reports, enhancing security oversight and audit capabilities.

Scalable Architecture:

Designed with scalability in mind, the application accommodates various infrastructures, making it suitable for both small-scale installations and large, complex environments.

Benefits

Enhanced Security:

The application enhances overall security by automating the identification process, reducing the risk of unauthorized access and ensuring that only authorized vehicles gain entry.

Streamlined Access Management:

Offers a streamlined and automated approach to access management, eliminating the need for manual verification and expediting the entry and exit processes.

Customization and Flexibility:

Administrators have the flexibility to customize access rules based on license plate data, allowing for tailored security protocols that align with specific organizational requirements.

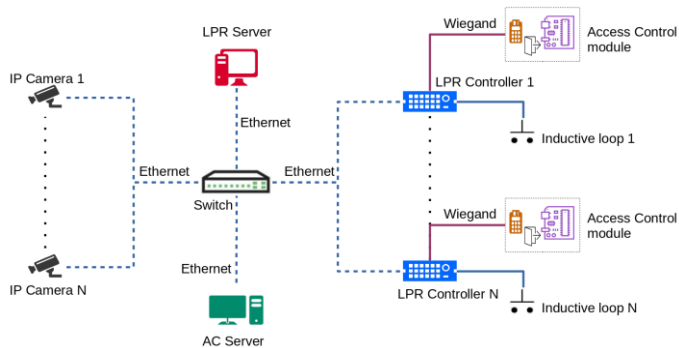
Centralized Oversight:

Centralized monitoring and reporting provide administrators with a comprehensive overview of vehicle access activities, enabling proactive security measures and facilitating compliance audits.

Scalability and Adaptability:

The scalable architecture of the application makes it adaptable to various infrastructures, ensuring that it can meet the access management needs of even the most complex environments.

Installation



Ordering

- PCLPRCHW: LPR Hardware controller
- PCLPRCSW: LPR Software license– hardware key
- PCLPRCAM: LPR Camera
- PCLPRTIL: LPR trigger inductive loop
- PCLPRTPS: LPR trigger proximity sensor
- PCLPR Server: Linux Server

Warranty

- 2 years from delivery for software:
 - Bugfixes
 - Updates
- 2 years from delivery for hardware

Technical Specifications

LPR Controller	
Communication	Ethernet 100 Base-TX Wiegand up to 64 bit
Memory	Internal DRAM 2 GB SD slot available Real time clock with back-up Li-Ion maintenance free battery
Camera	2MP 1080P, Optimized IR 30m, 30fps
Processor	ARM 64-bit, 1.5 GHz, Quad
Operating System	Linux OS
Software Upgrade	On line, during functioning
Power Supply	85-264 VAC, 45-65 Hz 12 VDC
Power Consumption	Max. 40 W
History Log capacity	Internal 5MB, aprox.10 000 events with time stamp
Max car Speed	200 km/h
Response time	Max 2 sec
Construction	Aluminum vandal resistant painted case
Agency Approvals and Standards	CE Conformity
Ambient conditions	Operating Temp:-30 C +50 C Storage Temp:-35 C +60 C Humidity: 10-95%
Size of LPR Reader (W x H x D)	170 x 195 x 80 mm
Weight	4 kg
Protection Class	IP67
Reading distance	3-10m
Black list	YES, online programmable for maximum 1000 license plates
PTZ	Digital PTZ