

Heaven

Default Floor

Zone:2 Floor: 2

	A	B	C
11	<input checked="" type="checkbox"/>	<input checked="" type="checkbox"/>	
10	<input checked="" type="checkbox"/>	<input checked="" type="checkbox"/>	
9	<input type="checkbox"/>	<input type="checkbox"/>	<input type="checkbox"/>
8	<input type="checkbox"/>	<input type="checkbox"/>	<input type="checkbox"/>
7	<input type="checkbox"/>	<input type="checkbox"/>	<input type="checkbox"/>
6	<input checked="" type="checkbox"/>	<input checked="" type="checkbox"/>	<input checked="" type="checkbox"/>
5	<input checked="" type="checkbox"/>	<input checked="" type="checkbox"/>	<input checked="" type="checkbox"/>
4	<input checked="" type="checkbox"/>	<input checked="" type="checkbox"/>	<input checked="" type="checkbox"/>
3	<input checked="" type="checkbox"/>	<input checked="" type="checkbox"/>	<input checked="" type="checkbox"/>
2	<input checked="" type="checkbox"/>	<input checked="" type="checkbox"/>	<input checked="" type="checkbox"/>
1	<input checked="" type="checkbox"/>	<input checked="" type="checkbox"/>	<input checked="" type="checkbox"/>
0	<input checked="" type="checkbox"/>	<input checked="" type="checkbox"/>	<input checked="" type="checkbox"/>

Profile Code

```
eNodyzsOgCAQBNC7TL2FgF86iH
gJQkPUxN7OeHdnSFYVM5ktLxq8
EZzwBQGCSAIVcGkzMBmy5GikiW
ZaaKVNN31o9K/dDzz27PppfzBbC
THhqz8Gr8b5YTAwODbMDY =
```



PASSCHIP® ACE Integration System

Our Access Control Elevator Integration system offers seamless integration between Access Control systems and Elevator systems.

By integrating multiple systems in a single interface, we remove the need for the double provisioning of the data, thus reducing the likelihood of human error and other inconsistencies.

We provide a web interface that can be accessed on the network, with a descriptive image of the building where users can configure access profiles. A code is then generated that can be added to custom fields in the control access system, then our integration software ensures the enforcement of the access rights defined in the web interface seamlessly across systems.

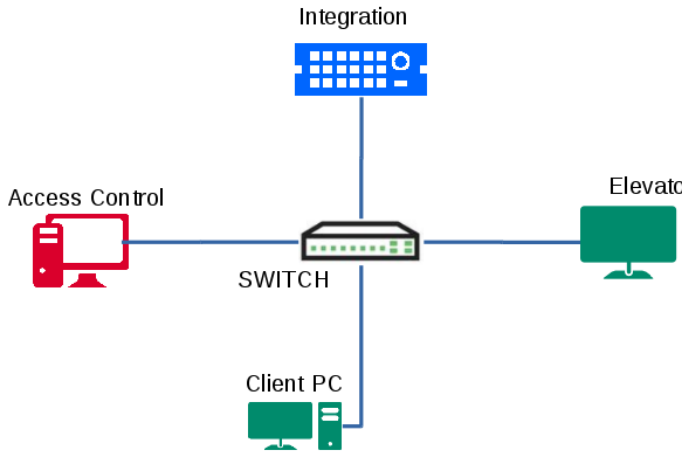
Functions

Our Access Control Elevator Integration system has a modular design. Management is simple using web browser interface for profile configuration and the standard access control system interface for card and cardholder management.

Benefits

Single configuration point, no double provisioning
 Assignment of elevator access rights is done in the access control system
 Deleting a card in the access control system leads to automatic deletion in the Elevator system as well
 Unified reports with access control events from all Access Control and Elevator systems.
 Multiple elevator systems can be configured at the same time.

Installation



Observations

Depending on the number of defined cardholders the synchronization time can vary from a couple of minutes to 10-15 minutes

Ordering Information

- CDACE 100/1: ACE Server License – hardware key
- : Server

Technical Specifications

ACE Integration Server	Minimum requirements
Communication	Ethernet 100 Base-TX/10Base-T
Memory	8 GB DRAM
CPU	Intel i5
Operating System	Windows 7, Windows 10
Supported Access Control Systems	
	SiPass Siemens
	Impro
Supported Elevator systems	
	Schindler
	Kone
	Otis